

AISC IS UPDATING

(www.aisc.org)

5. Connections

5.1. Bolt Holes

5.1.1. Maximum hole sizes for bolts are specified in the Specification Table J3.3. What if an actual hole dimension is between two of the values?

5.3.4. What is shear lag and when must it be considered?

5.3.5. What column stiffening requirements apply at beam-to-column- angle moment connections?

5.3.6. In many design examples in the *Manual of Steel Construction*, yielding and buckling in a gusset plate or similar tting are checked on a Whitmore section. What is a Whitmore section?

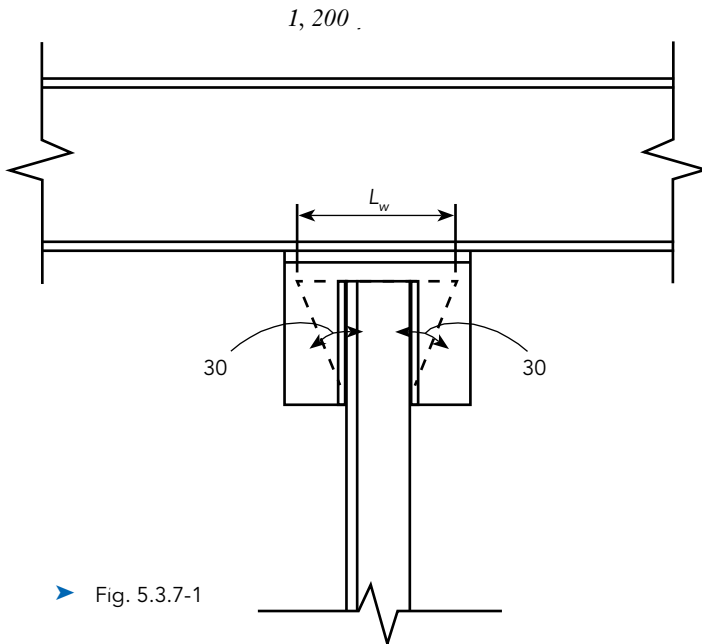


Fig. 5.3.7-1

5.3.7. How can adequate flexibility be maintained in double-angle simple shear connections subjected to combined shear and tension load?

5.3.8. What are some AISC resources for connection design?

5.3.9. What are some AISC resources for steel detailers?

www.aisc.org/dts